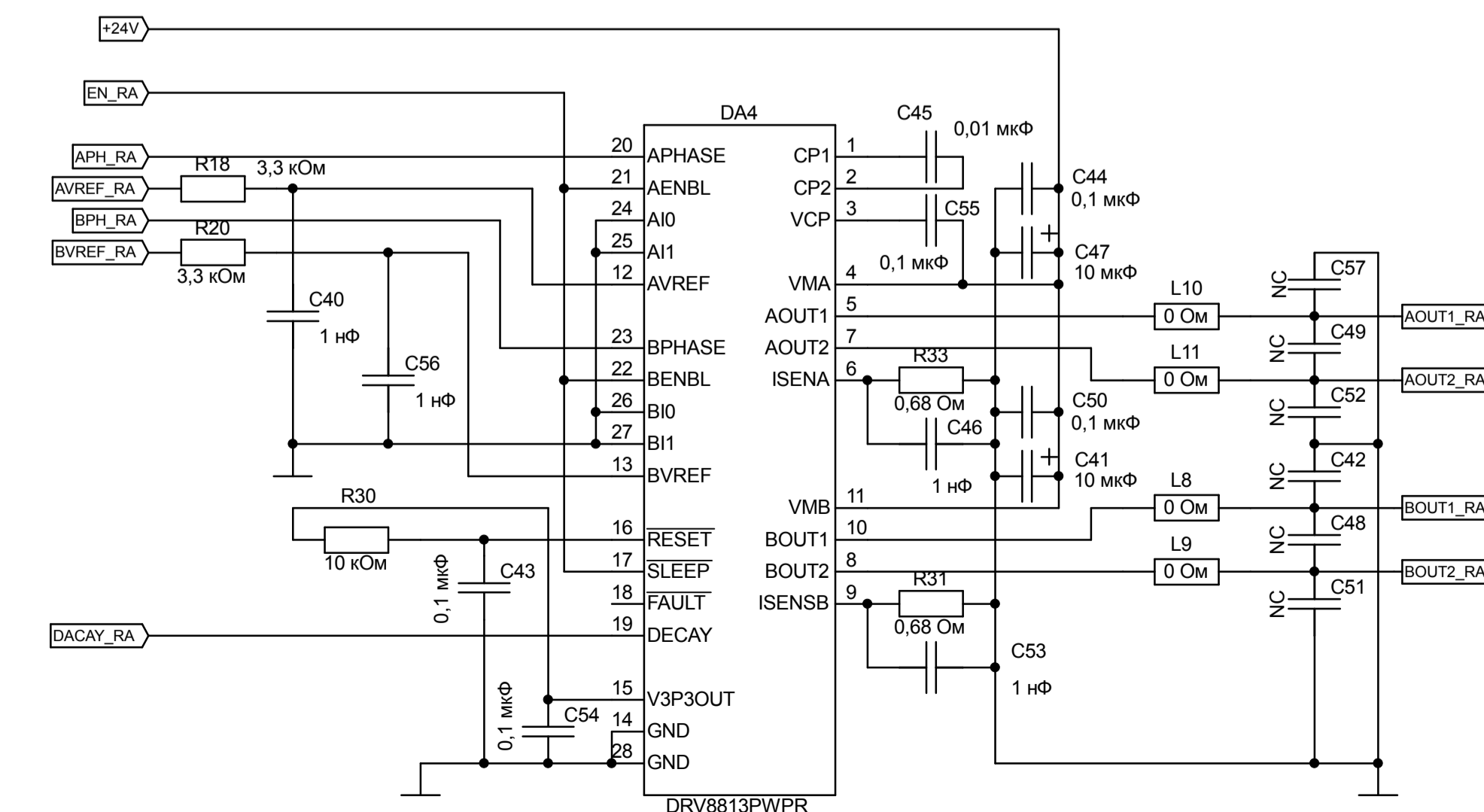


Конт	Цель	А	В
1	OUT1	A	B
2	OUT2	A	B
3	OUT1	A	B
4	OUT2	A	B

Конт	Цель	А	В
1	AOUT1_RA	A	B
2	AOUT2_RA	A	B
3	BOUT1_RA	A	B
4	BOUT2_RA	A	B
5	BOUT1_DEC	A	B
6	BOUT2_DEC	A	B
7	BOUT1_RA	A	B
8	AOUT2_DEC	A	B
9	AOUT1_DEC	A	B

Конт	Цель	А	В
1	OUT1	A	B
2	OUT2	A	B
3	OUT1	A	B
4	OUT2	A	B



Цель	Конт	Цель
1	1	+3.3V
2	2	SWCLK
3	3	SWDIO
4	4	SWDIO

